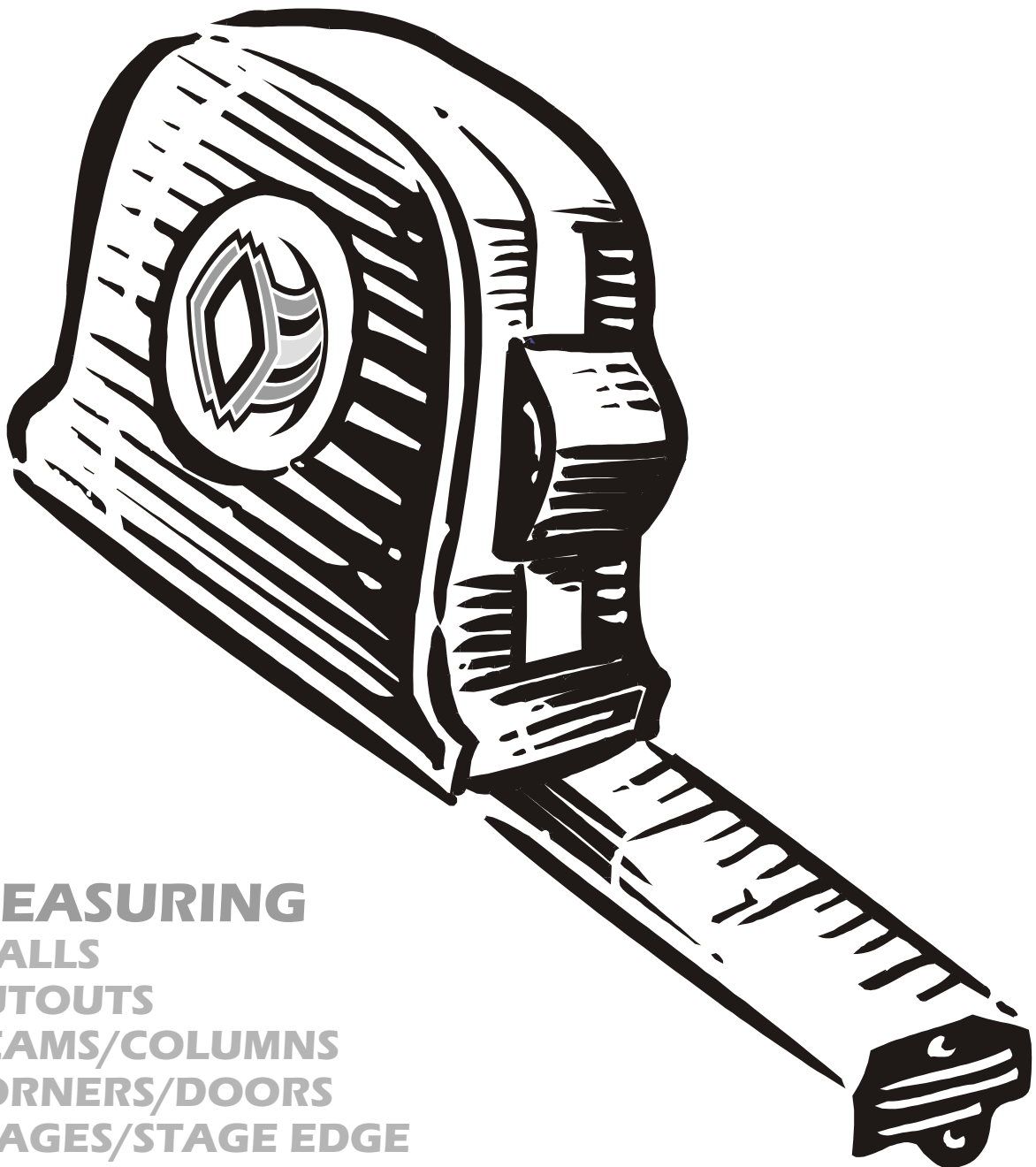


MEASURING GUIDE



**MEASURING
WALLS
CUTOUTS
BEAMS/COLUMNS
CORNERS/DOORS
STAGES/STAGE EDGE**

MEASURING GUIDE

These pages contain directions to measure correctly.

Two things to remember when measuring:

1

Measure everything exact.

SportsGraphics will make all allowances.

2

If anything special is encountered:

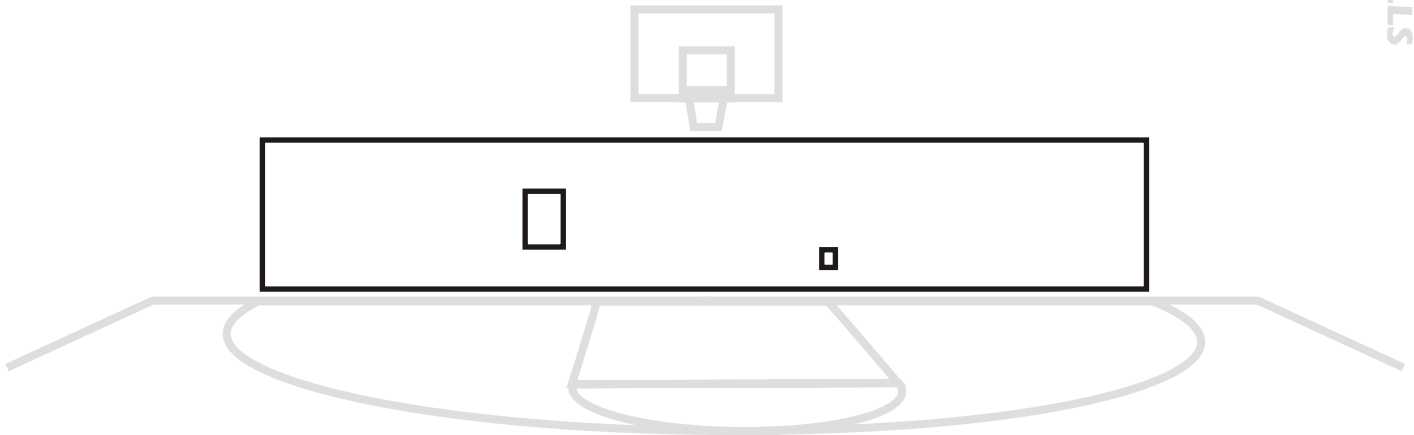
- Draw it out.
- Measure everything.
- Take a picture and email it to **SportsGraphics**.

SportsGraphics will do the best to accommodate the situation.

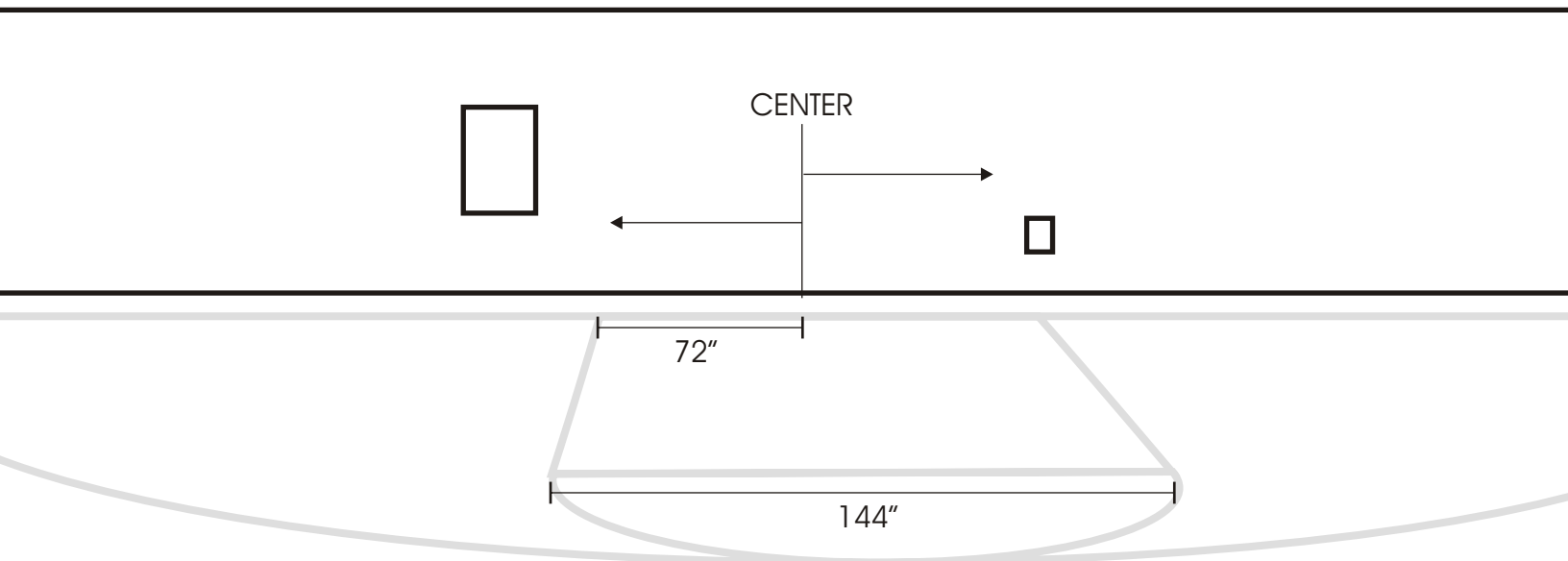


MEASURING WALLS

- 1 Step back and make a rough sketch of the wall.
Be sure to include anything that would require a cutout.
(I.e. Electrical outlets, fire alarms, microphone jacks, vents, etc.)

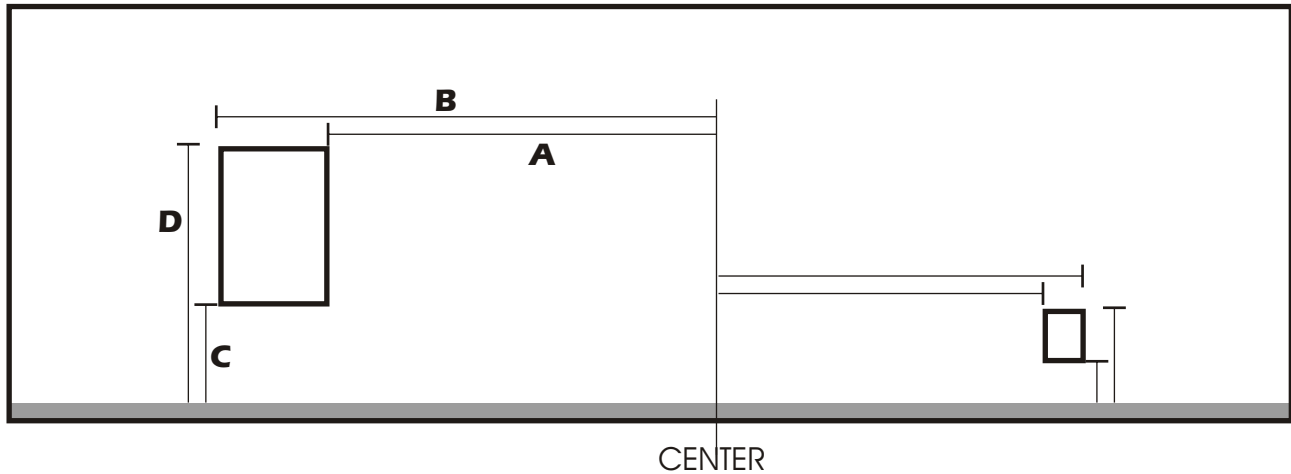


- 2 Start by finding the center of the lane.
This can be done by measuring 72" from the edge of the lane to the middle.
Measure out from this point.



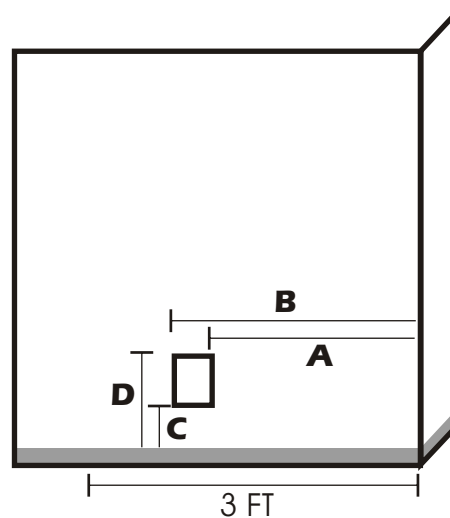
MEASURING CUTOUTS

REMEMBER: Exact measurements.



1 Put your tape on the center line and measure to the closest point **A**.
Then measure out to the farthest point **B**.

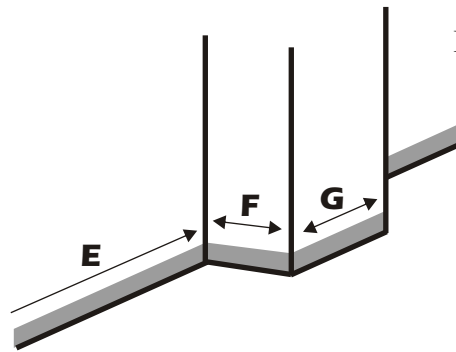
2 Measure from the top of the mopboard (or wherever the bottom of the padding will start) to the closest point **C**. Then measure to the farthest point **D**.



3 If your cutout is within 3 feet of a corner that will be padded.
Take a **second** set of measurements from the corner.
(we also need the center line measurements for this also)



MEASURING BEAMS/COLUMNS



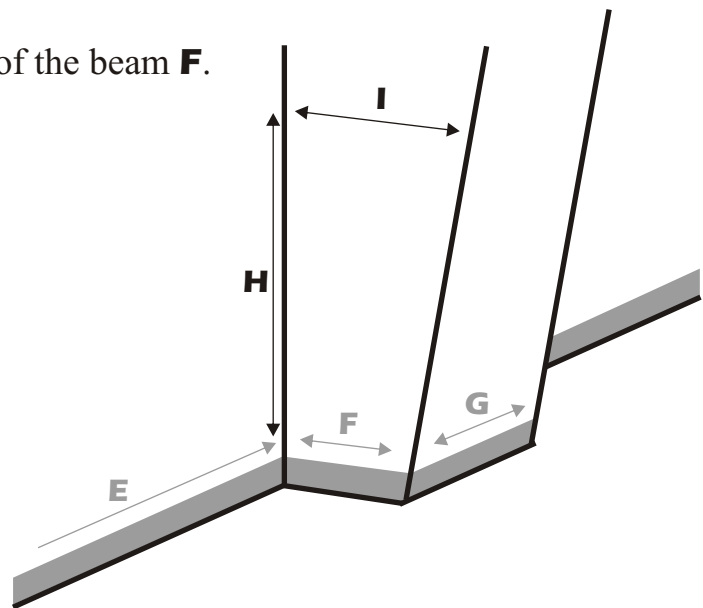
REMEMBER: Exact measurements.

1 Specify what beam/column is made of (concrete block or steel).

2 Measure from center line down the wall to point **E**.

3 Measure from the wall to the front of the beam **F**.
On both sides.

4 Measure the width of the beam **G**.



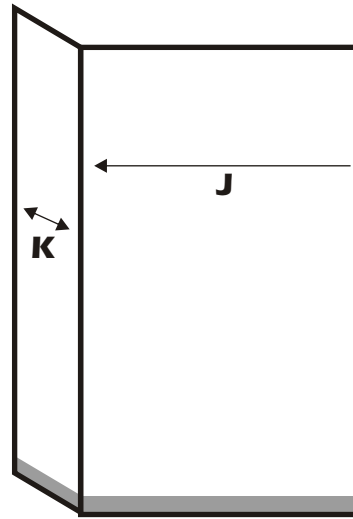
5 Measure from the top of the mopboard to the same height as the pads on the wall **H**.

6 Measure from that point to the front of the beam **I**.



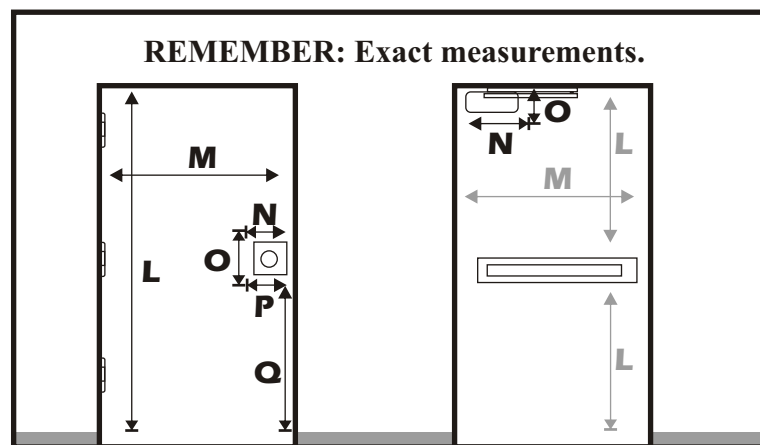
MEASURING CORNERS/DOORS

REMEMBER: Exact measurements.



1 Measure from center line to the corner **J**.

2 Measure distance pad will extend back **K**.



REMEMBER: Exact measurements.

1 Measure height starting at top of mopboard **L**.

2 Measure width from hinge to edge of door **M**.

3 Measure handles and other cutouts **NOPOQ**.
(Be sure to allow for the handle's swing)

NOTE: Which direction the doors swings.



MEASURING STAGES/STAGE EDGE



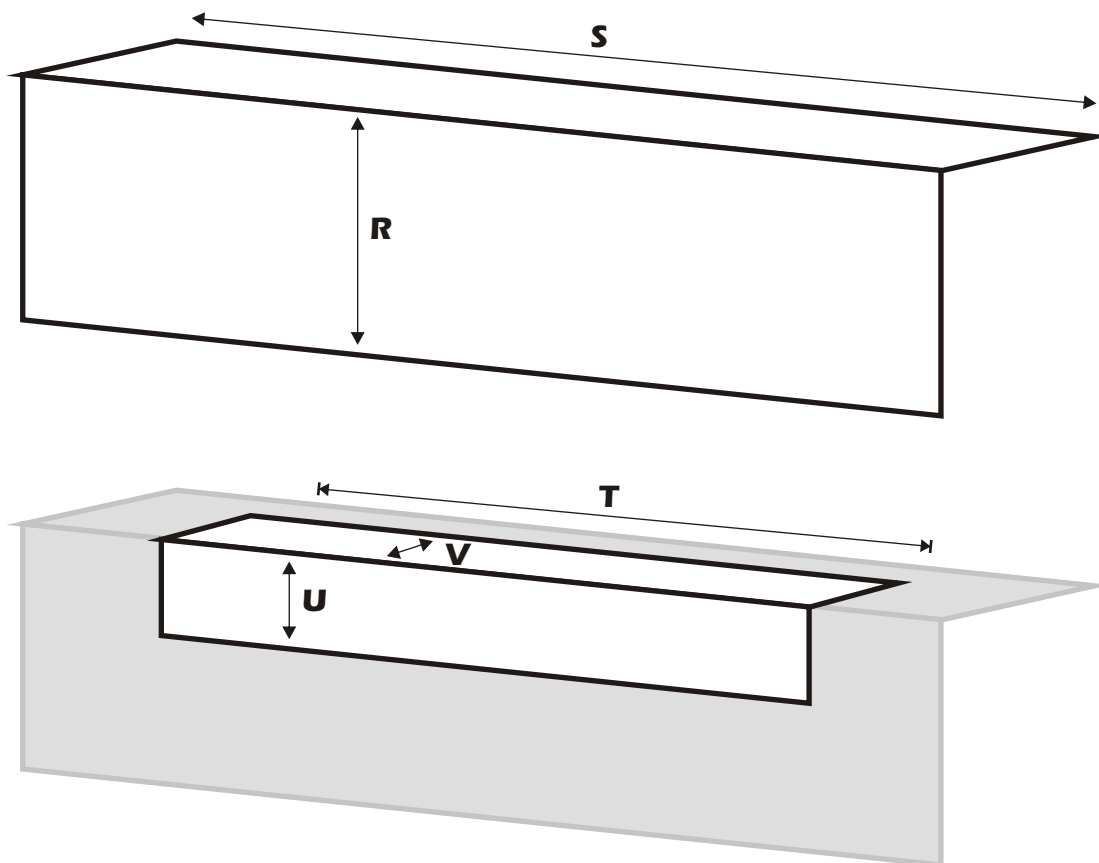
Stages can be padded in a variety of ways.

(**A** Stage Fronts, **B** Stage Edges, **C** Stage Fronts & Edges, **D** Stage Fronts & Panels)

A Stage Fronts

1 Measure from the gym floor to the top of the stage **R**.

2 Measure length of stage to be covered **S**.



B Stage Edges

1 Measure length to be covered **T**.

2 Specify the size of the fronts **U** and the depth **V**.

(Standard size for the stage edge is 9"x9")



MEASURING STAGES/STAGE EDGE



Stages can be padded in a variety of ways.

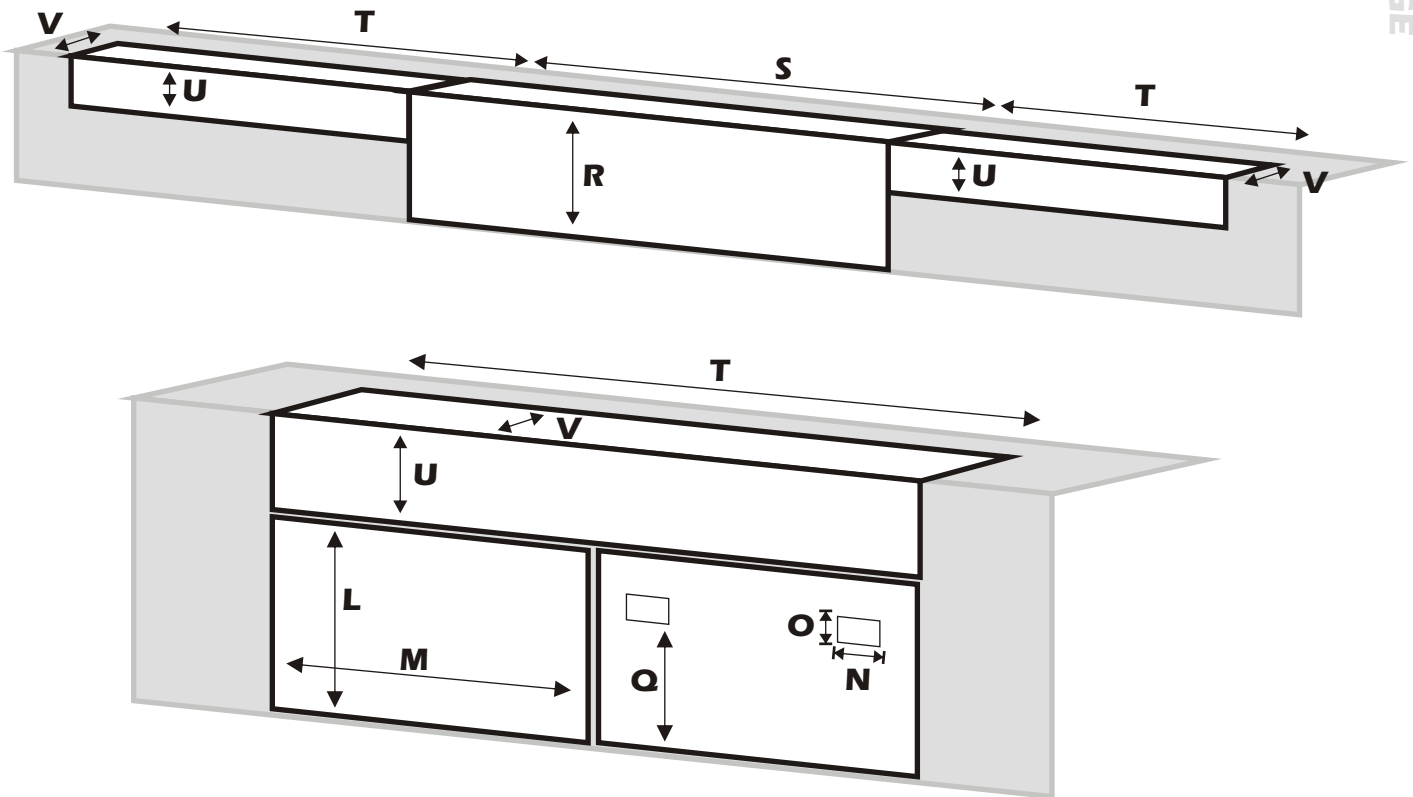
(**A** Stage Fronts, **B** Stage Edges, **C** Stage Fronts & Edges, **D** Stage Fronts & Panels)

C Stage Fronts & Edges

1 Follow the steps **A1&2** and **B1&2**.

2 Specify length of Stage Fronts and Edge.

(Example: 12' Stage Front, 38' Stage Edge)



D Stage Fronts & Panels

1 Follow steps **B1&2** for Stage Edge.

2 Panels and Panels with cutouts will be measured same as door pads.



